

EBK6-PV_EBK6-HPV Series

Power-Line Filters For Photovoltaic

(150-1600A)






Typical application

- Inverters
- High-power motor driven frequency inverters
- Mining equipment

Features and benefits

- HPV versions designed for 690VAC IT power networks
- Protective plastic covers for high safety
- With advanced two-stage LCR filter circuit
- High attenuation for both common and differential mode

Conformity

-  EN 60939
 CSA C22,2 | available on request for most types
 UL 1283 | available on request for most types
 Climatic category | 40/085/21 (IEC 60068-1)

Technical specifications

	Symbol	Value	Unit	Remarks
Rated voltage	V_R	520/300	VAC	PV Series
		690/400	VAC	HPV Series
Rated current	I_R	150 ... 1600	A	
Ground capacitance		---	nF	
Operating frequency	f_{op}	50/60	Hz	
Insertion loss		up to 100/100	dB	common/dfferential mode
Leakage current	I_l	< 6	mA	
Operating temperature	T_{amb}	-40 ... +85	°C	
Storage temperature	T_S	-40 ... +85	°C	
Test voltage - line to line	V_{test}	2700 / 2150	VDC	PV Series / HPV Series
Test voltage - line to ground	V_{test}	3100 / 3000	VDC	PV Series / HPV Series

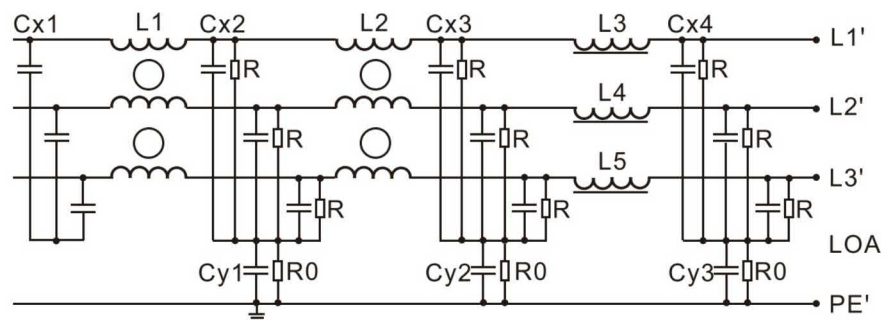
Electrical properties

Model	Connection		Rated Current [A]	Leakage Current [mA]	Circuit Diagram	Package Type
	Line	Load				
DL-150EBK6-PV	B	B	150	<6mA	1	1
DL-150EBK6-HPV	B	B	150	<6mA	1	1
DL-180EBK6-PV	B	B	180	<6mA	1	1
DL-180EBK6-HPV	B	B	180	<6mA	1	1
DL-250EBK6-PV	B	B	250	<6mA	1	2
DL-250EBK6-HPV	B	B	250	<6mA	1	2
DL-320EBK6-PV	B	B	320	<6mA	1	3
DL-320EBK6-HPV	B	B	320	<6mA	1	3
DL-400EBK6-PV	B	B	400	<6mA	1	3
DL-400EBK6-HPV	B	B	400	<6mA	1	3
DL-600EBK6-PV	B	B	600	<6mA	1	4
DL-600EBK6-HPV	B	B	600	<6mA	1	4
DL-800EBK6-PV	B	B	800	<6mA	1	5
DL-800EBK6-HPV	B	B	800	<6mA	1	5
DL-1000EBK6-PV	B	B	1000	<6mA	1	6
DL-1000EBK6-HPV	B	B	1000	<6mA	1	6
DL-1600EBK6-PV	B	B	1600	<6mA	2	7
DL-1600EBK6-HPV	B	B	1600	<6mA	2	7

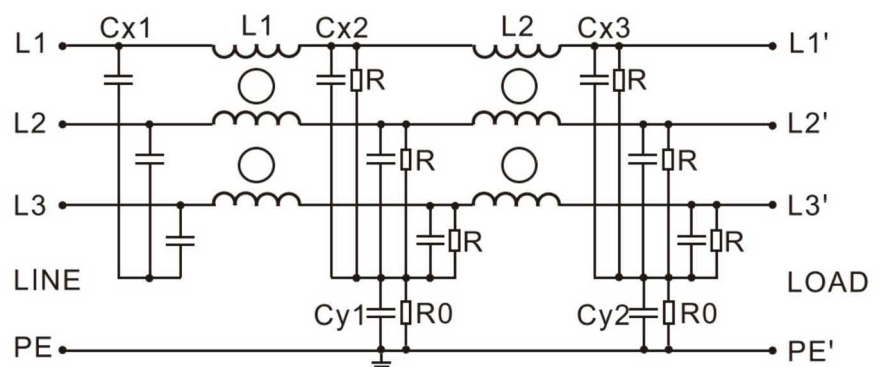
Legend: **B = bus bar**

Note: HPV versions without R0

Circuit schematic

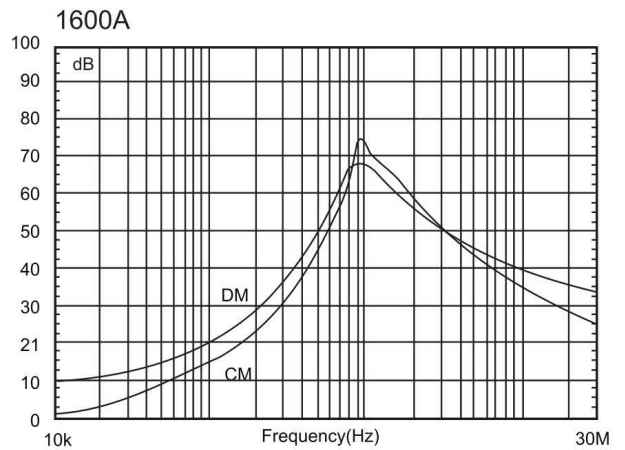
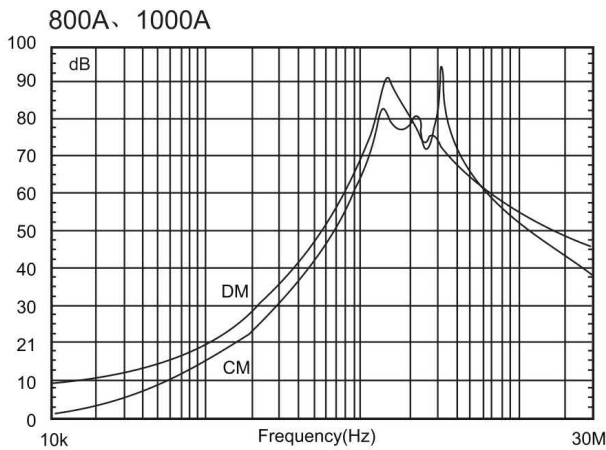
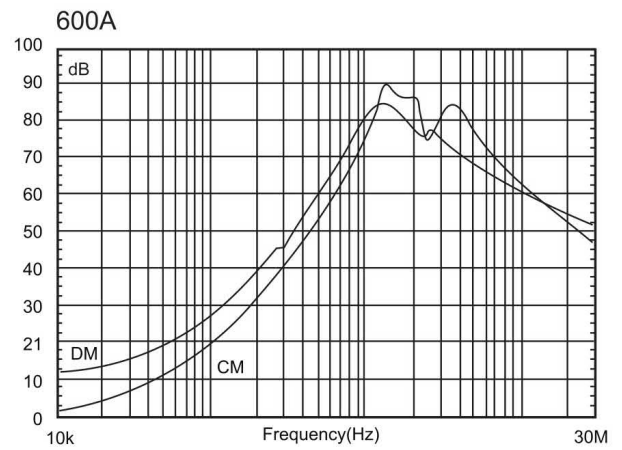
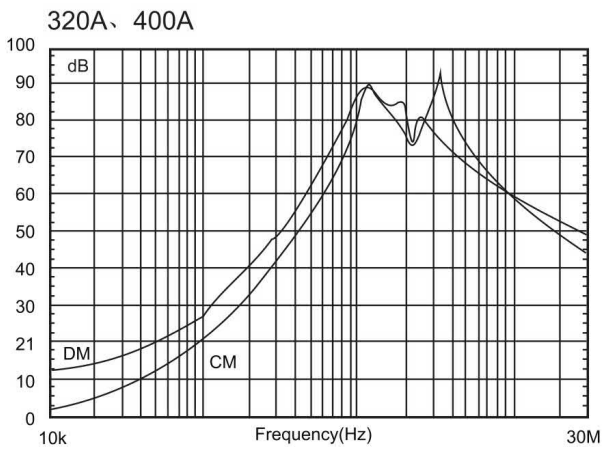
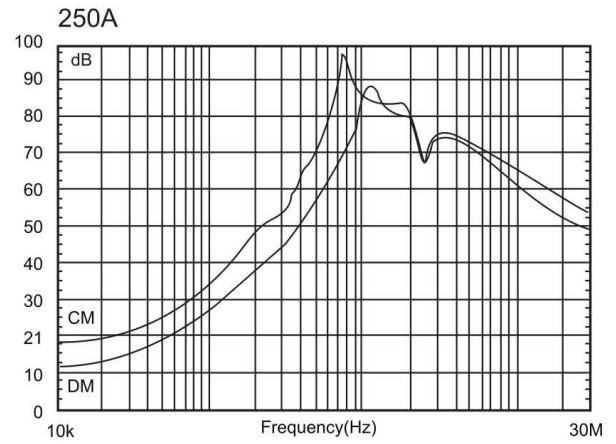
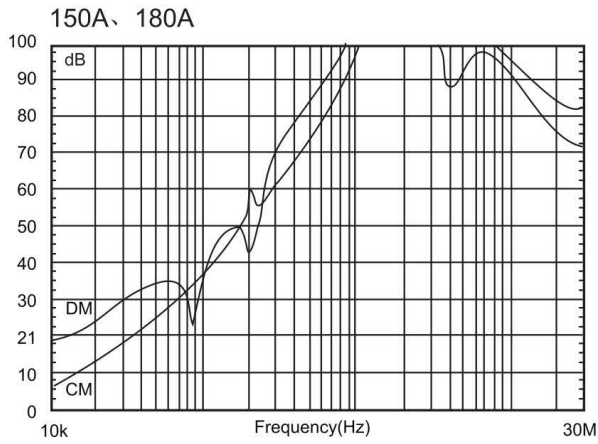


1



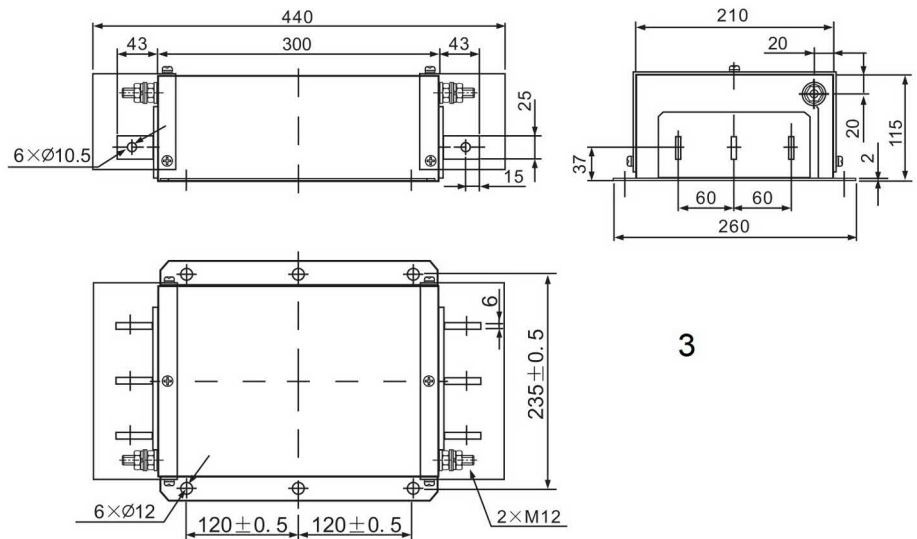
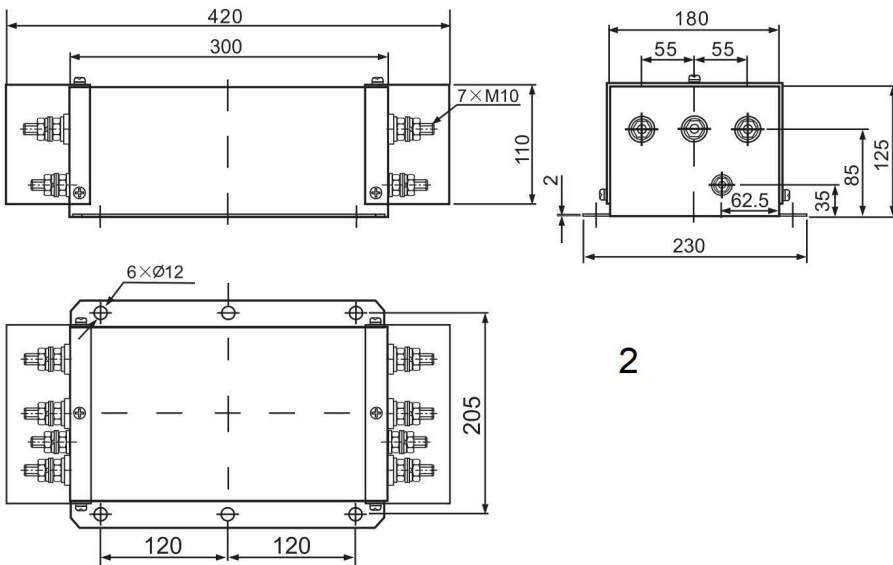
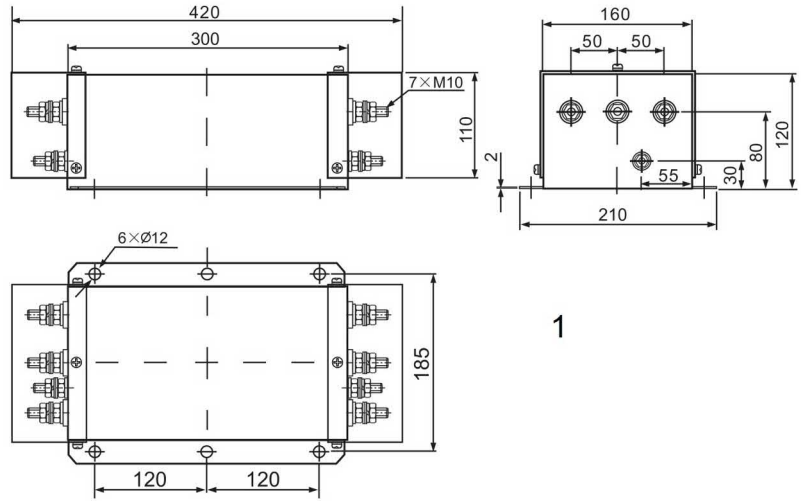
2

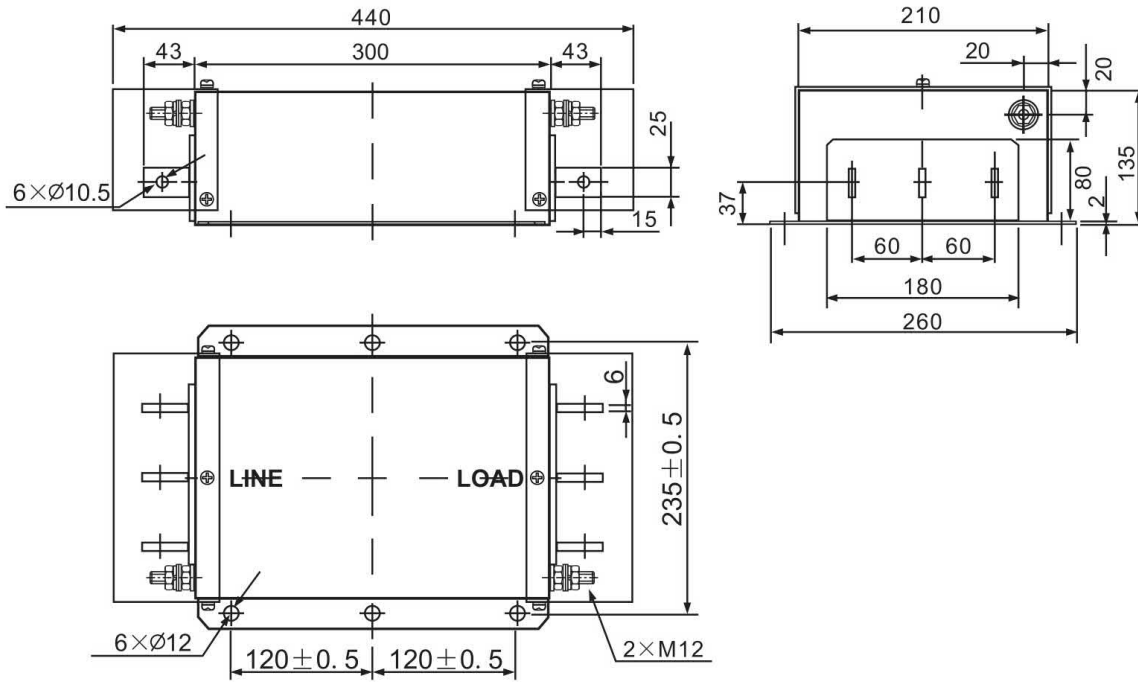
Insertion loss characteristics



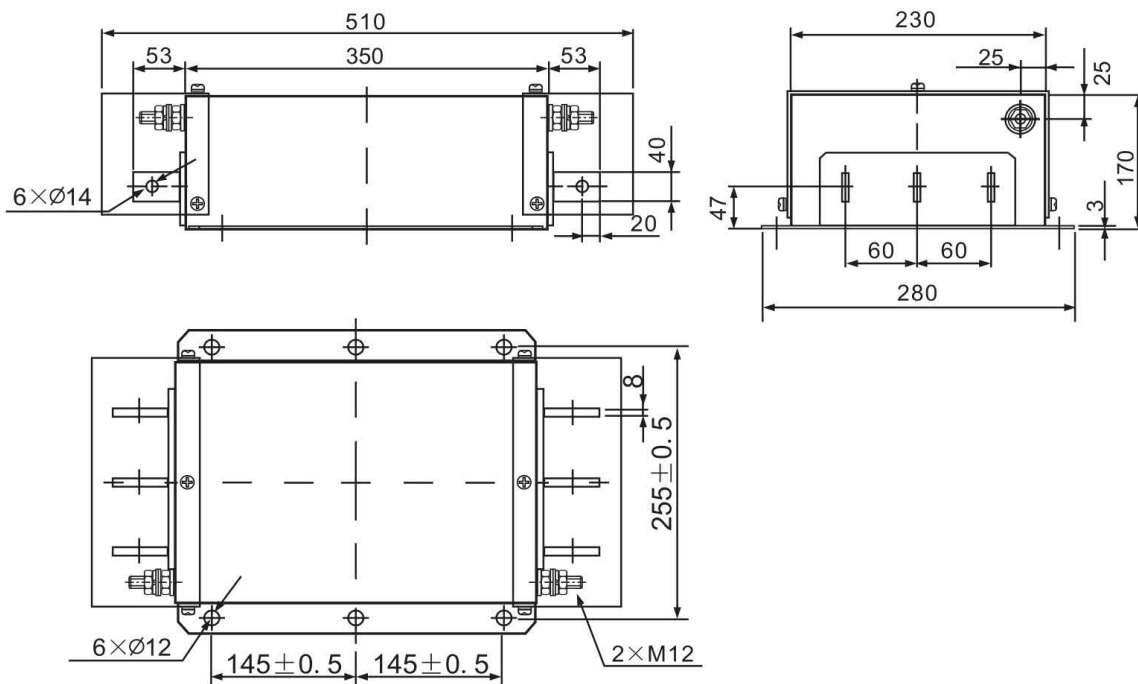
_____ Common Mode
 - - - - - Differential Mode

Mechanical packaging

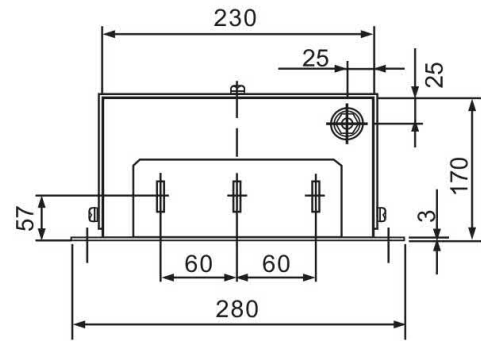
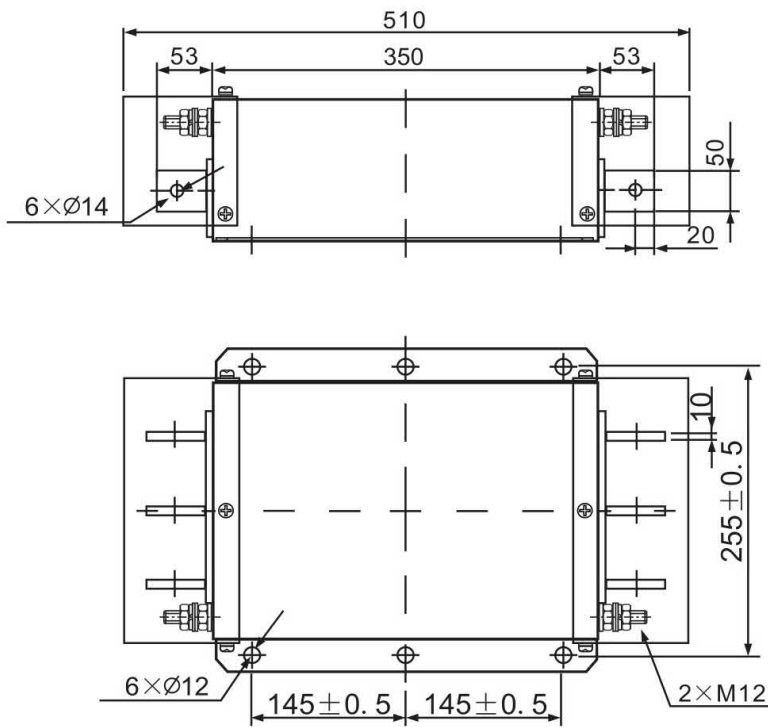




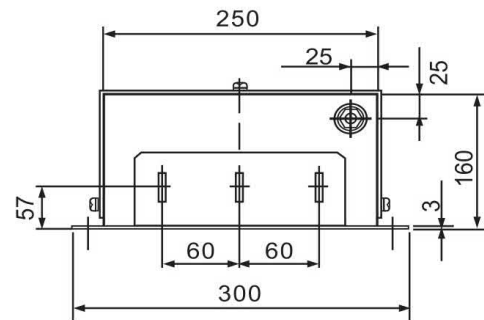
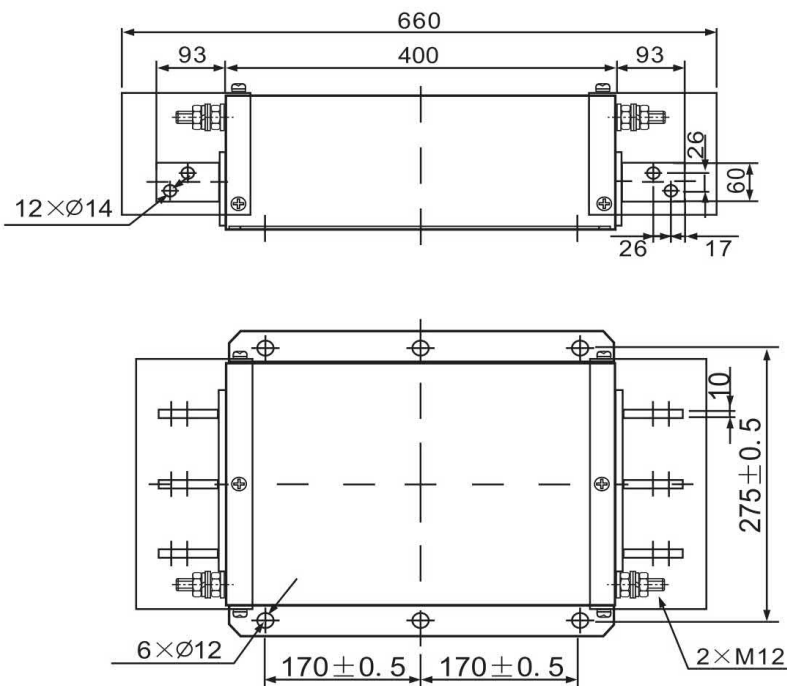
4



5



6



7

Metralytica GmbH
Oehleckerring 13
22419 Hamburg
Germany

www.metralytica.eu

+49 40 5936175-00
sales@metralytica.eu