

## EBK6 Series (250-1600A)

### High Performance Power-Line Filters



#### Typical application

- Heavy interference industrial control systems
- Unfiltered frequency inverters
- Switch-mode or servo driven power supplies

#### Features and benefits

- Compact design with protective cover
- Low leakage current
- With advanced two-stage LCR filter circuit
- High attenuation for both common and differential mode

#### Conformity

- CE EN 60939
- CSA C22,2 | available on request for most types
- UL 1283 | available on request for most types
- Climatic category | 40/085/21 (IEC 60068-1)

#### Technical specifications

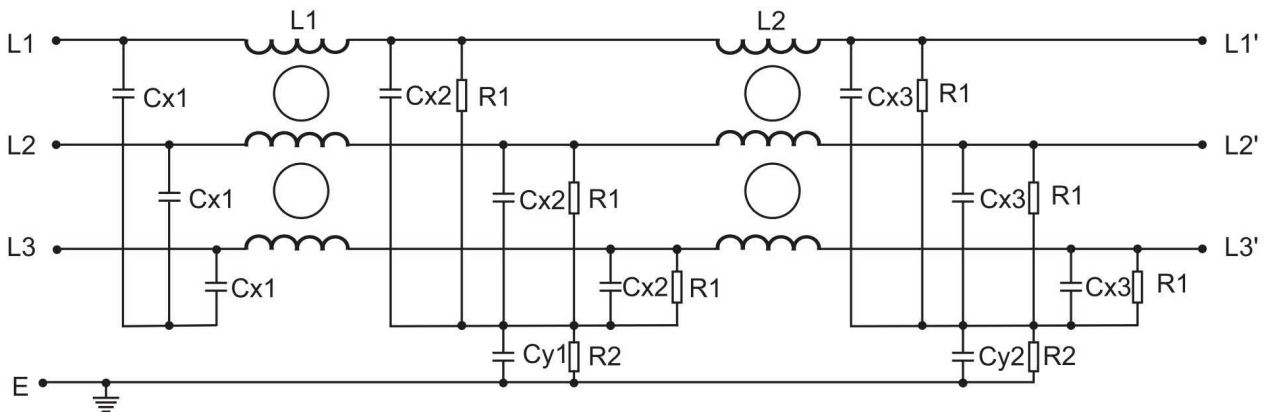
	Symbol	Value	Unit	Remarks
Rated voltage	$V_R$	480/275	VAC	
Rated current	$I_R$	250 ... 1600	A	
Ground capacitance		3.2	nF	
Operating frequency	$f_{op}$	50/60	Hz	
Insertion loss		up to 100/100	dB	common/dfferential mode
Leakage current	$I_l$	< 41	mA	
Operating temperature	$T_{amb}$	-40 ... +85	°C	
Storage temperature	$T_S$	-40 ... +85	°C	
Test voltage - line to line	$V_{test}$	1500	VDC	
Test voltage - line to ground	$V_{test}$	2250	VDC	

## Electrical properties

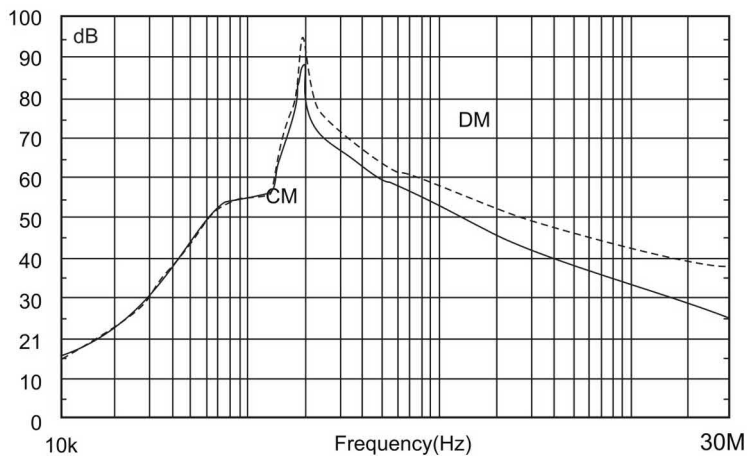
Model	Connection		Rated Current [A]	Ground Capacitance [nF]	Leakage Current [mA] (440VAC/50Hz)	Circuit Diagram	Package Type
	Line	Load					
DL-250EBK6	B	B	250	3.2	<41mA	1	1
DL-300EBK6	B	B	300	3.2	<41mA	1	2
DL-400EBK6	B	B	400	3.2	<41mA	1	2
DL-600EBK6	B	B	600	3.2	<41mA	1	3
DL-800EBK6	B	B	800	3.2	<41mA	1	4
DL-1000EBK6	B	B	1000	3.2	<41mA	1	5
DL-1600EBK6	B	B	1600	3.2	<41mA	1	6

Legend: **B = bus bar**

## Circuit schematic

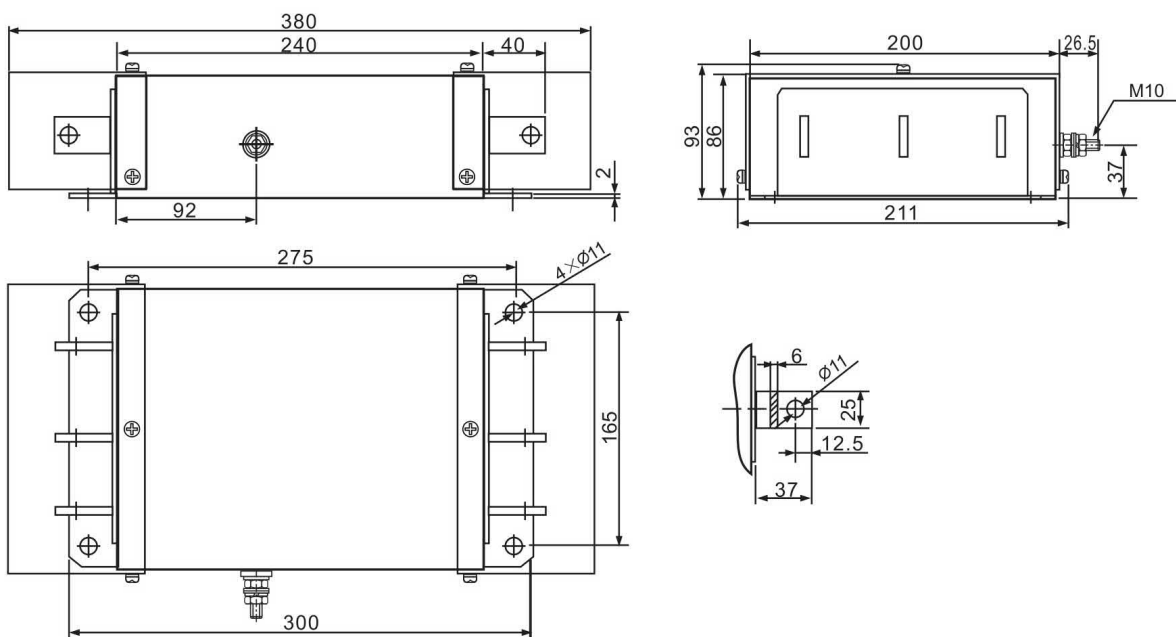
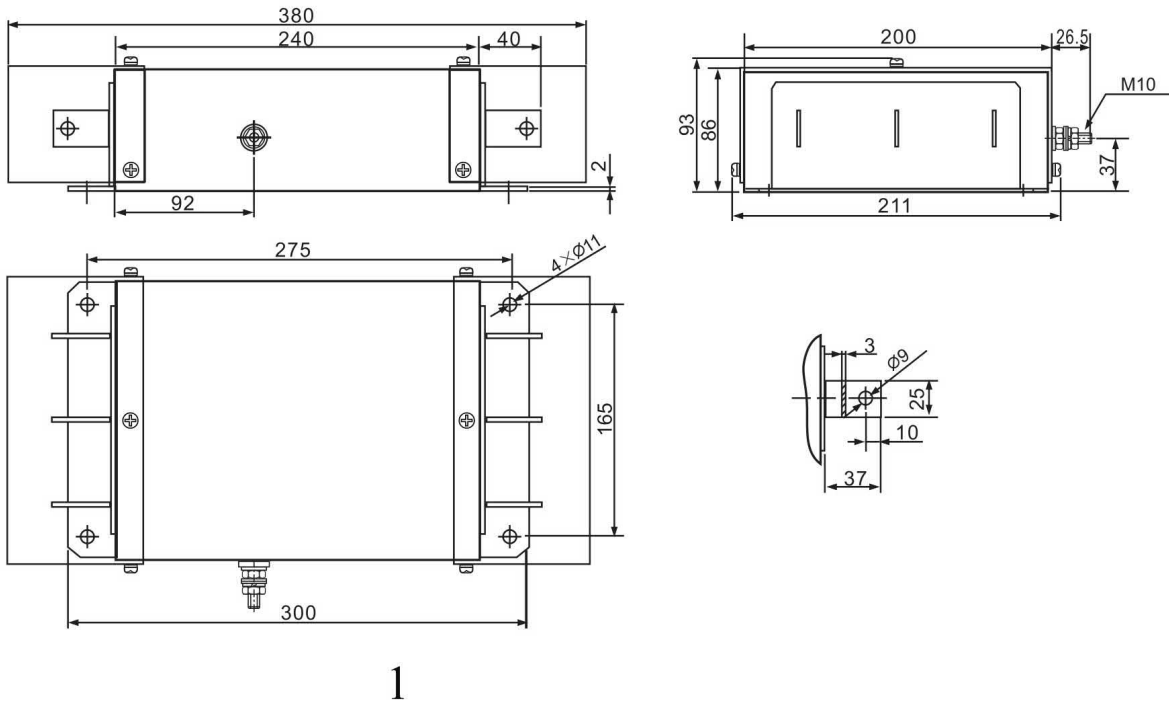


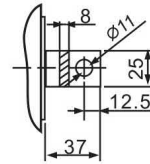
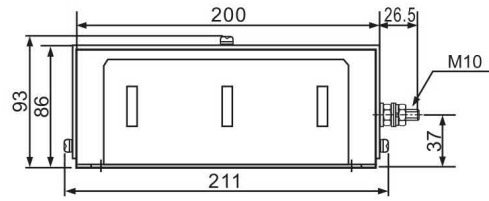
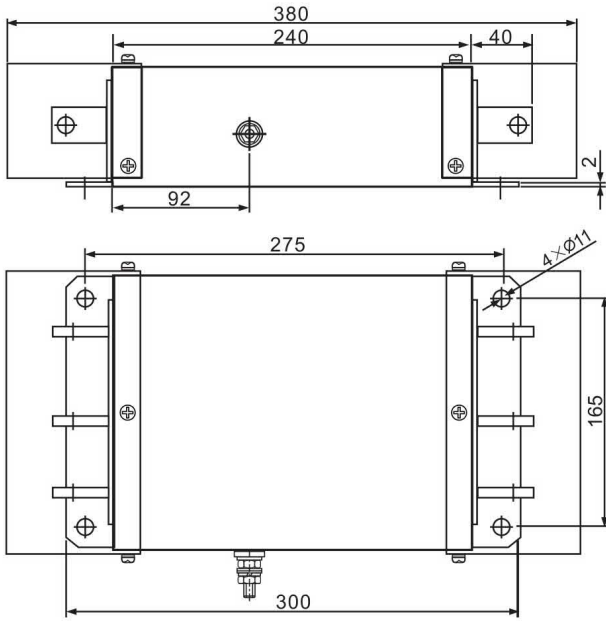
## Insertion loss characteristics



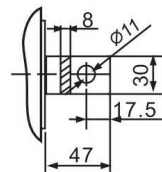
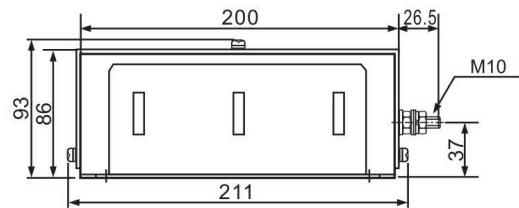
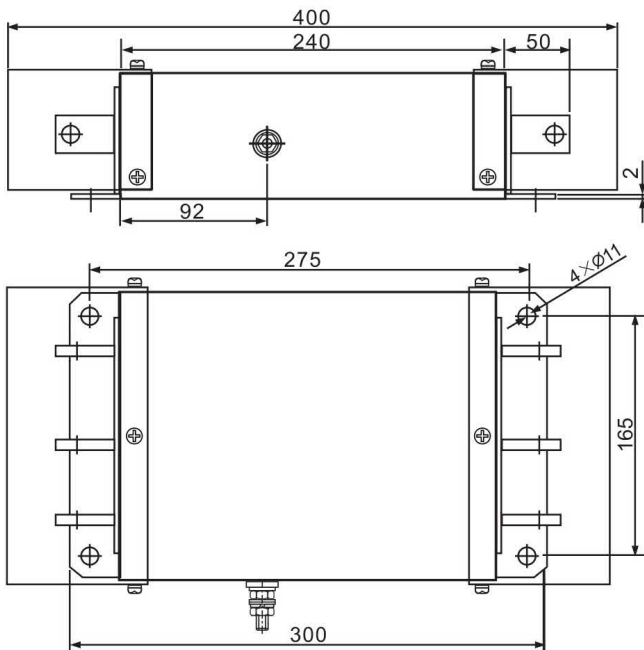
— Common Mode  
 - - - Differential Mode

# Mechanical packaging

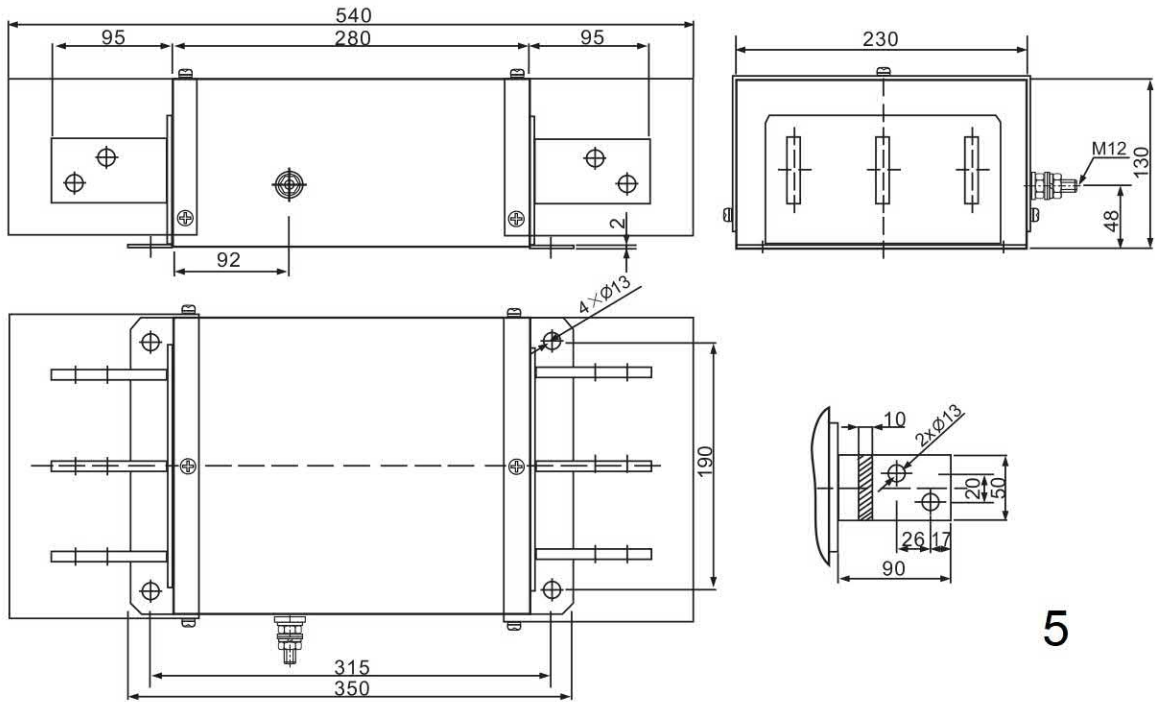




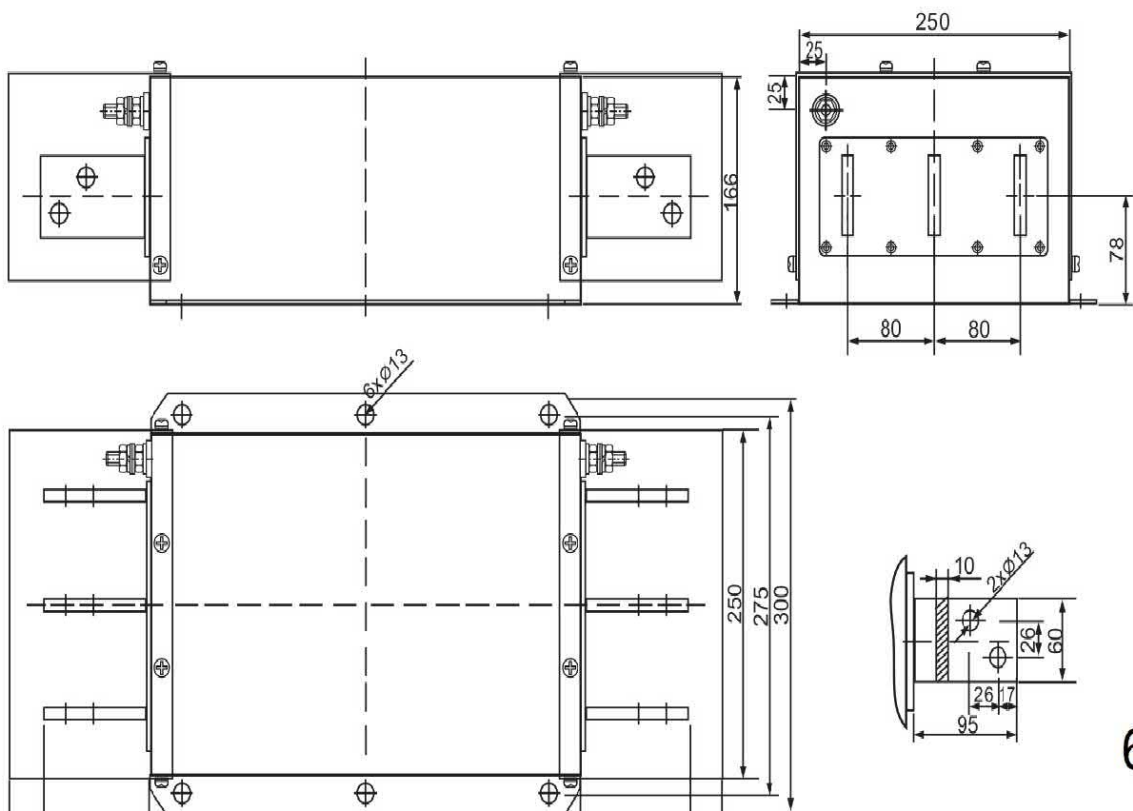
3



4



5



6

Metralytica GmbH  
Oehleckerring 13  
22419 Hamburg  
Germany

[www.metralytica.eu](http://www.metralytica.eu)

+49 40 5936175-00  
[sales@metralytica.eu](mailto:sales@metralytica.eu)