

EBK6 Series

High Performance Power-Line Filters (5-200A)



Typical application

- Heavy interference industrial control systems
- Unfiltered frequency inverters
- Switch-mode or servo drive power supplies

Features and benefits

- Compact design with protective cover
- Low leakage current
- With advanced two-stage LCR filter circuit
- High attenuation for both common and differential mode

Conformity

- CE EN 60939
- CSA C22,2 | available on request for most types
- UL 1283 | available on request for most types
- Climatic category | 40/085/21 (IEC 60068-1)

Technical specifications

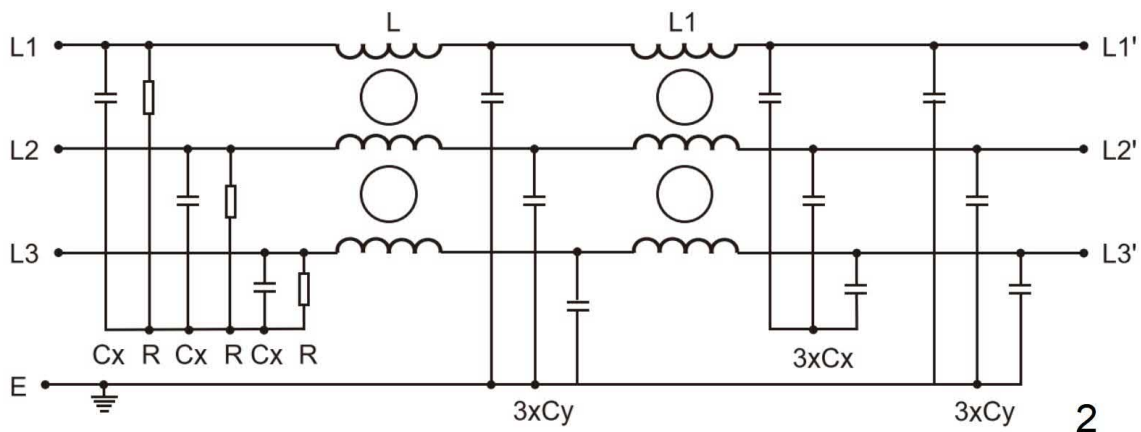
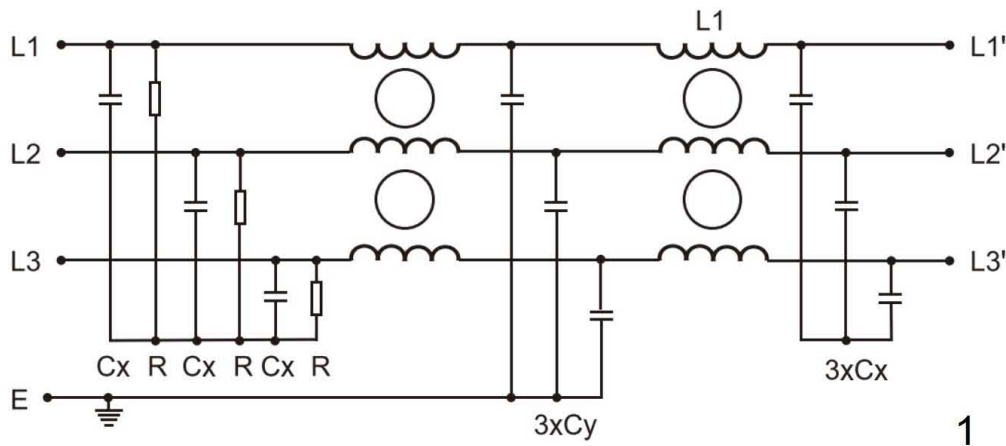
	Symbol	Value	Unit	Remarks
Rated voltage	V_R	480/275	VAC	
Rated current	I_R	5 ... 200	A	
Ground capacitance		22 ... 50	nF	
Operating frequency	f_{op}	50/60	Hz	
Insertion loss		up to 100/100	dB	common/dfferential mode
Leakage current	I_l	---	mA	
Operating temperature	T_{amb}	-40 ... +85	°C	
Storage temperature	T_S	-40 ... +85	°C	
Test voltage - line to line	V_{test}	1500	VDC	
Test voltage - line to ground	V_{test}	2250	VDC	

Electrical properties

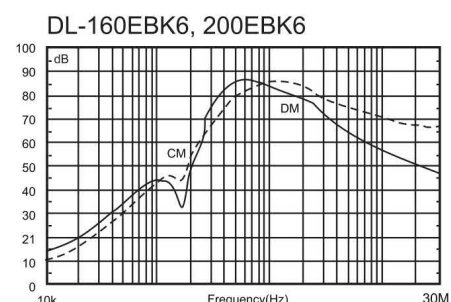
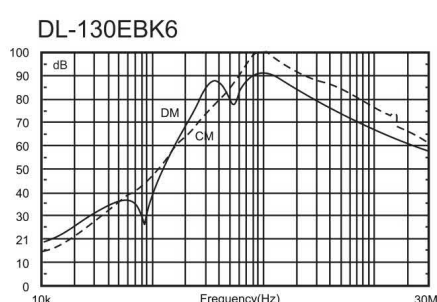
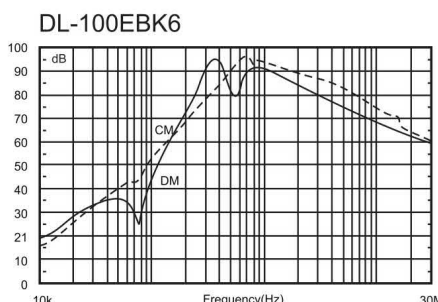
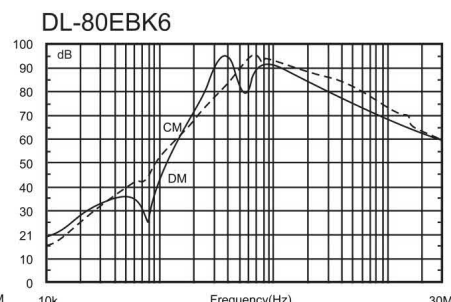
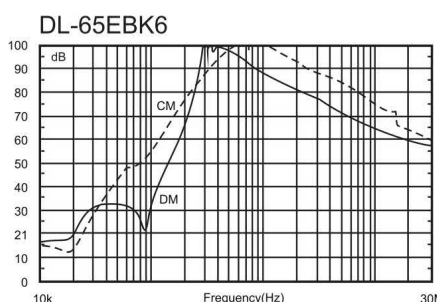
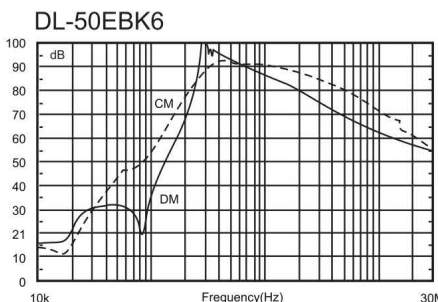
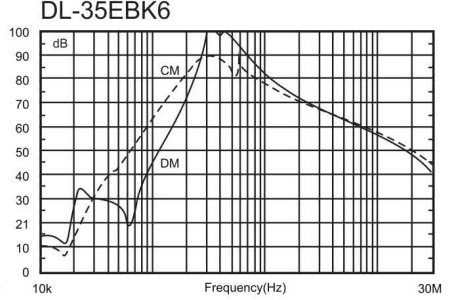
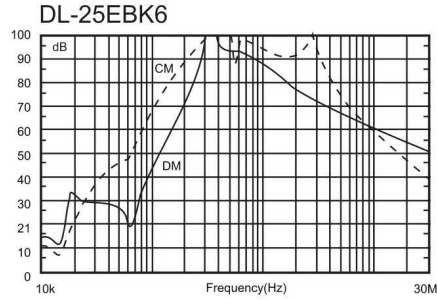
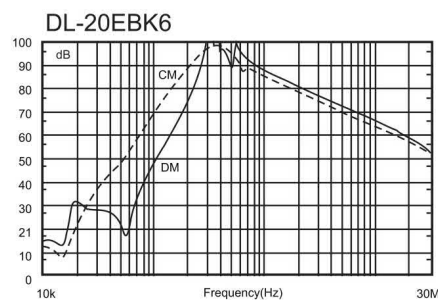
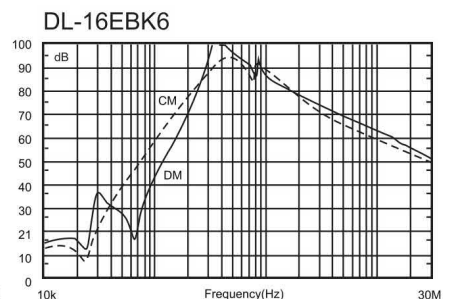
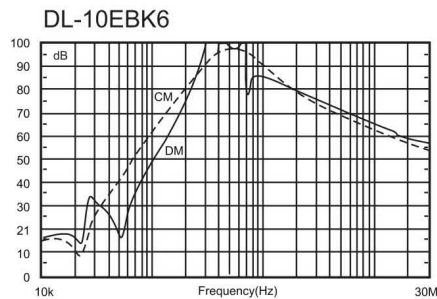
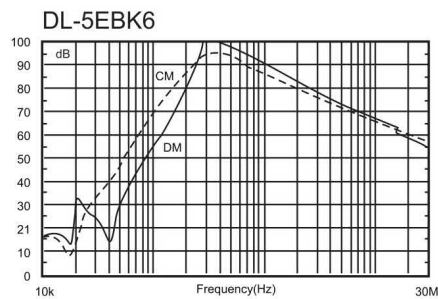
Model	Connection		Rated Current [A]	Ground Capacitance [nF]	Circuit Diagram	Package Type
	Line	Load				
DL-5EBK6	S	S	5	22	1	1
DL-10EBK6	S	S	10	22	1	1
DL-16EBK6	S	S	16	22	1	1
DL-20EBK6	S	S	20	50	1	2
DL-25EBK6	S	S	25	50	1	2
DL-35EBK6	S	S	35	50	1	3
DL-50EBK6	S	S	50	50	1	3
DL-65EBK6	S	S	65	50	1	3
DL-80EBK6	S	S	80	50	2	4
DL-100EBK6	S	S	100	50	2	4
DL-130EBK6	S	S	130	50	2	4
DL-160EBK6	S	S	160	50	2	4
DL-200EBK6	S	S	200	50	2	5

Legend: S = screw terminal

Circuit schematic

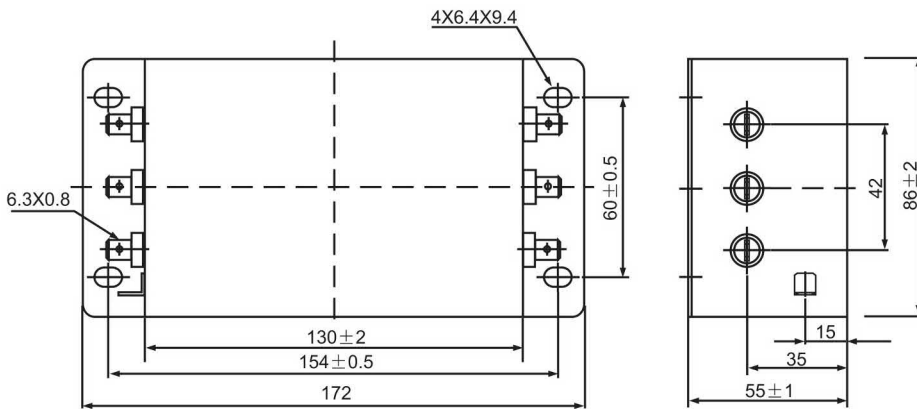


Insertion loss characteristics

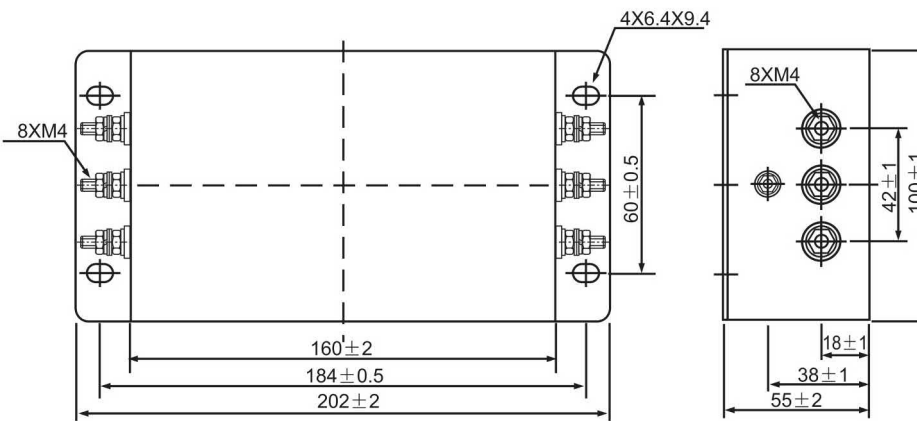


_____ Common Mode
 - - - - - Differential Mode

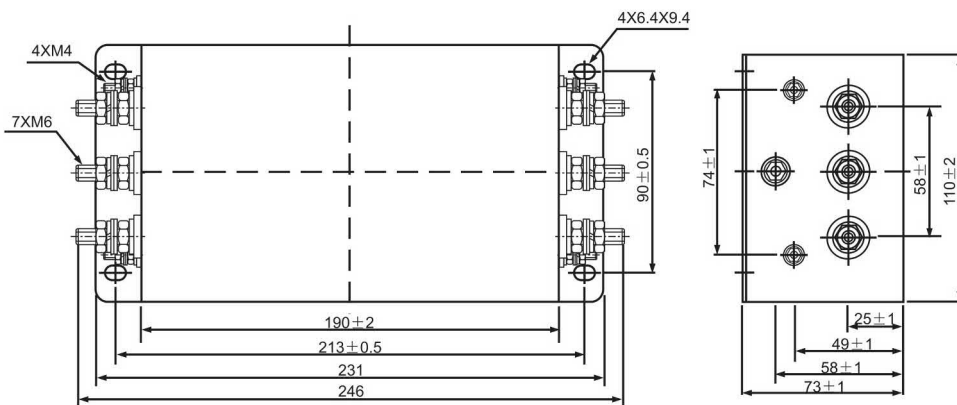
Mechanical packaging



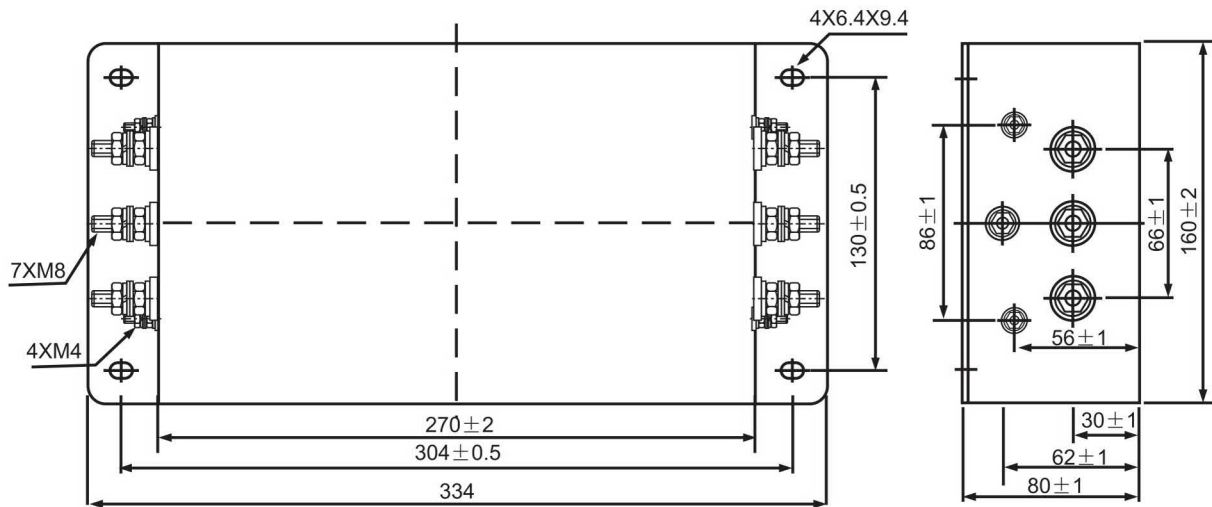
Type 1 DL-5EBK6, 10EBK6, 16EBK6



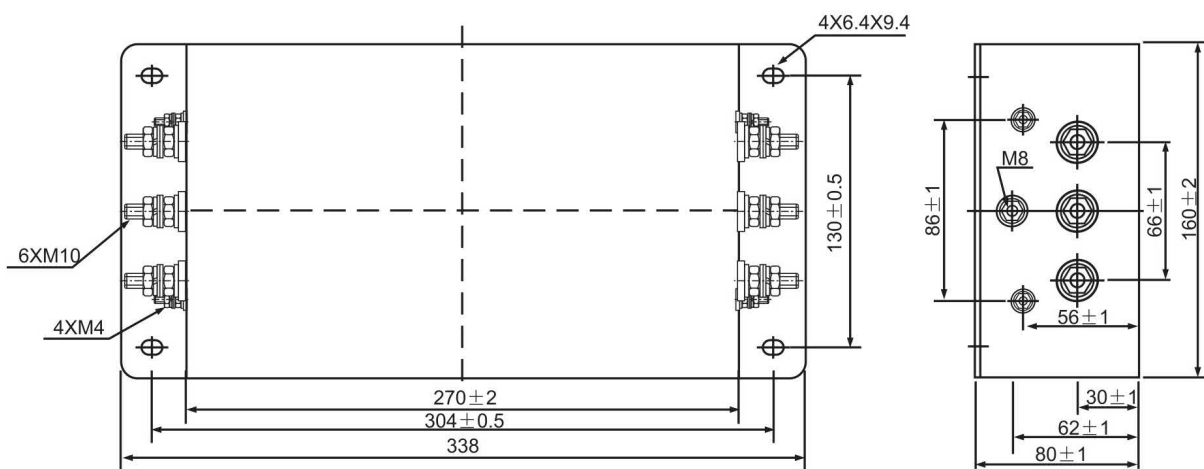
Type 2 DL-20EBK6, 25EBK6



Type 3 DL-35EBK6, 50EBK6, 65EBK6



Type 4 DL-80EBK6, 100EBK6, 130EBK6, 160EBK6



Type 5 DL-200EBK6

Metralytica GmbH
Oehleckerring 13
22419 Hamburg
Germany

www.metralytica.eu

+49 40 5936175-00
sales@metralytica.eu