

F6-PV Series

Photovoltaic (25-1500A)



Typical application

- For photovoltaic intertters

Features and benefits

- DC EMI filters for photovoltaic inverters
- High-voltage version designed for 1200VDC IT power networks

Conformity

- CE EN 60939
- CSA C22,2 | available on request for most types
- UL 1283 | available on request for most types
- Climatic category 40/085/21 (IEC 60068-1)

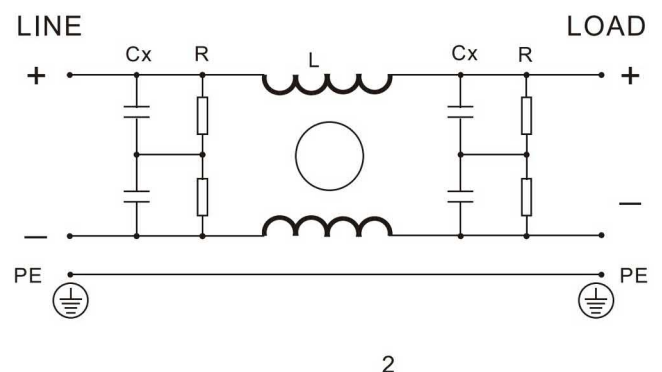
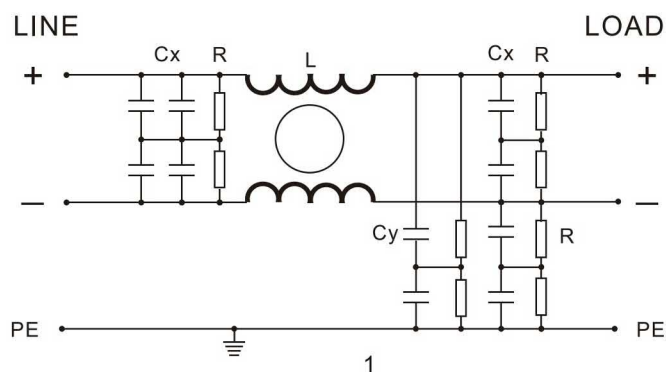
Technical specifications

	Symbol	Value	Unit	Remarks
Rated voltage	V_R	max. 1200	VDC	
Rated current	I_R	25 ... 1500	A	
Ground capacitance		---	nF	
Operating frequency	f_{op}	---	Hz	
Insertion loss		up to 100/100	dB	common/differential mode
Leakage current	I_l	---	mA	
Operating temperature	T_{amb}	-40 ... +85	°C	
Storage temperature	T_S	-40 ... +85	°C	
Test voltage - line to line	V_{test}	3600	VDC	
Test voltage - line to ground	V_{test}	3000	VDC	

Electrical properties

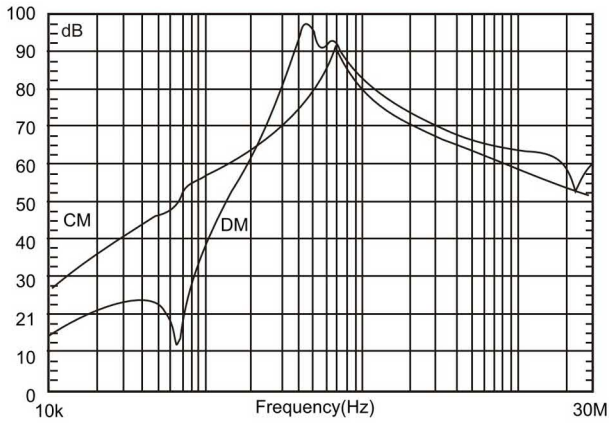
Model	Rated Current at 40° [A]	Circuit Diagram	Package Type
DL-25F6-PV	25	1	1
DL-50F6-PV	50	1	2
DL-75F6-PV	75	1	2-1
DL-100F6-PV	100	1	3
DL-150F6-PV	150	1	4
DL-250F6-PV	250	1	5
DL-400F6-PV	400	1	6
DL-600F6-PV	600	1	7
DL-800F6-PV	800	1	8
DL-1000F6-PV	1000	1	9
DL-1500F6-PV	1500	1	10

Circuit schematic

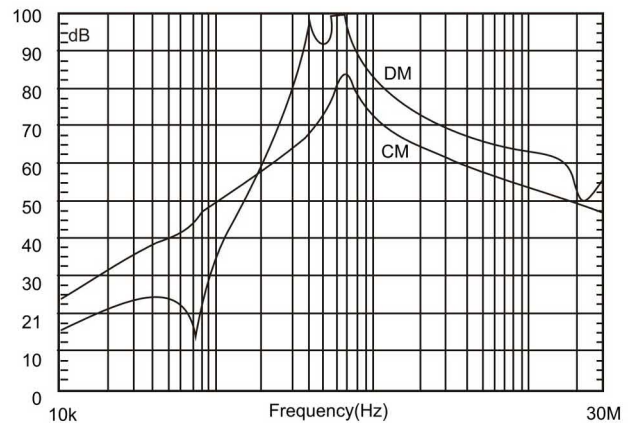


Insertion loss characteristics

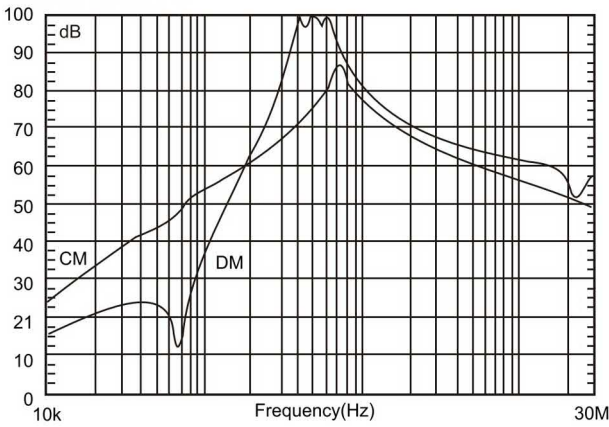
DL-25F6-PV



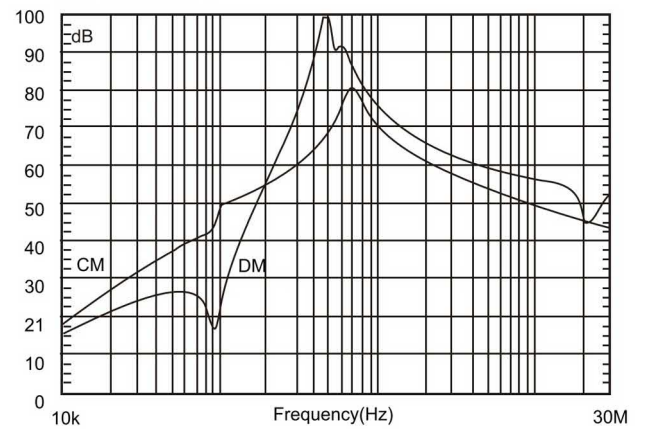
DL-50F6-PV



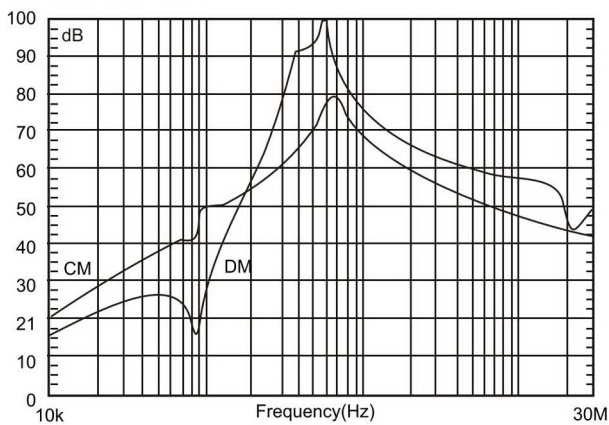
DL-75F6-PV



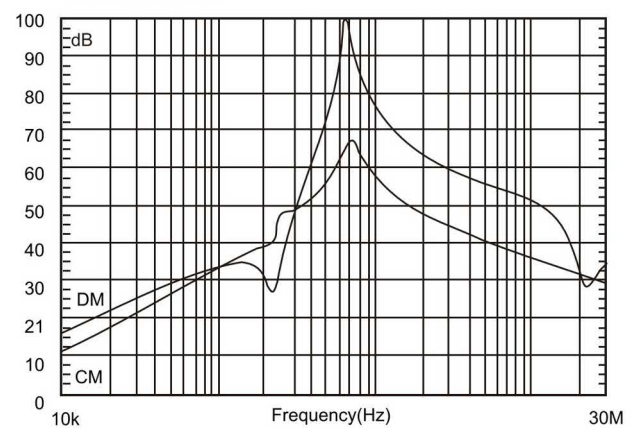
DL-100F6-PV



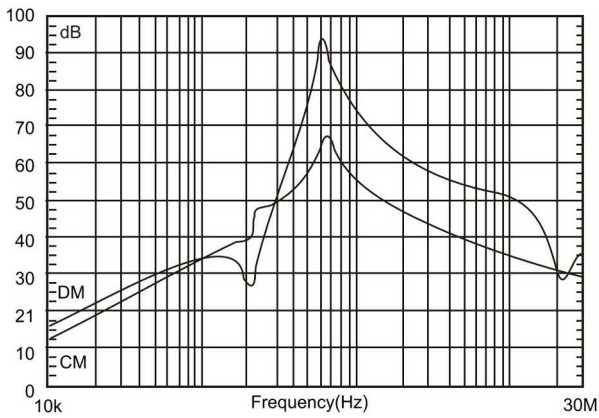
DL-150F6-PV



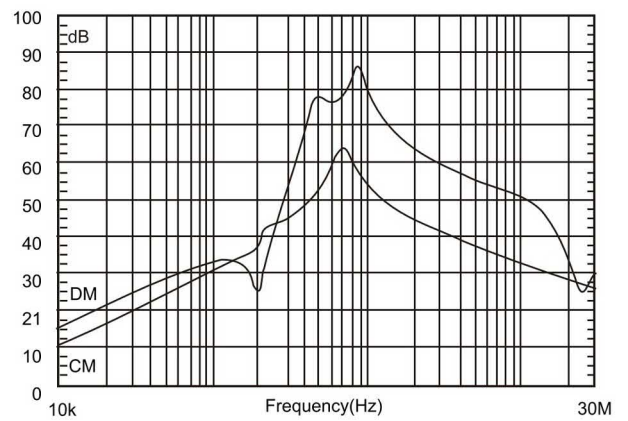
DL-250F6-PV



DL-400F6-PV、DL-600F6-PV

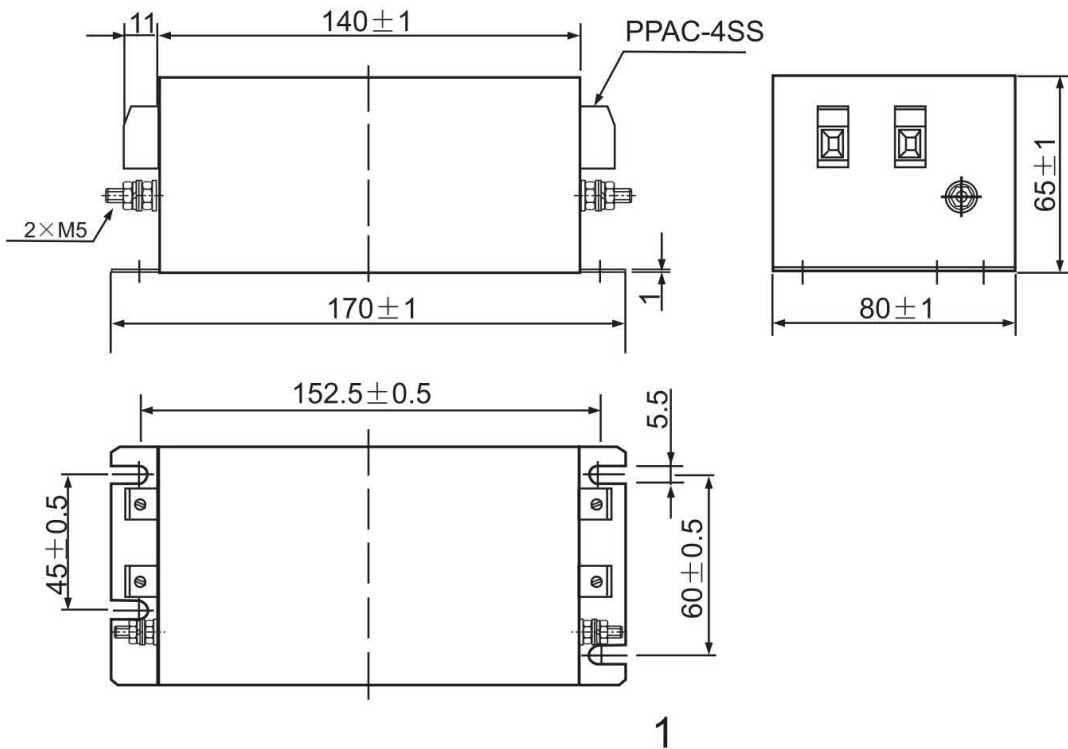


DL-800F6-PV、DL-1000F6-PV、DL-1500F6-PV

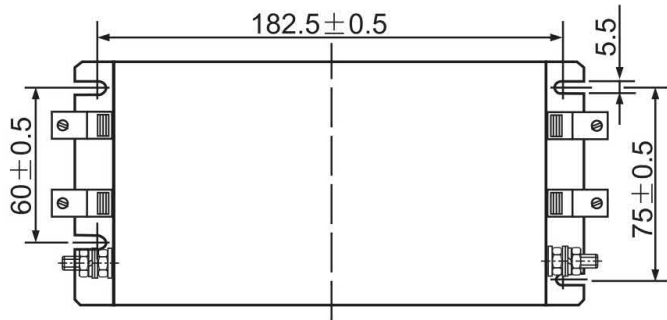
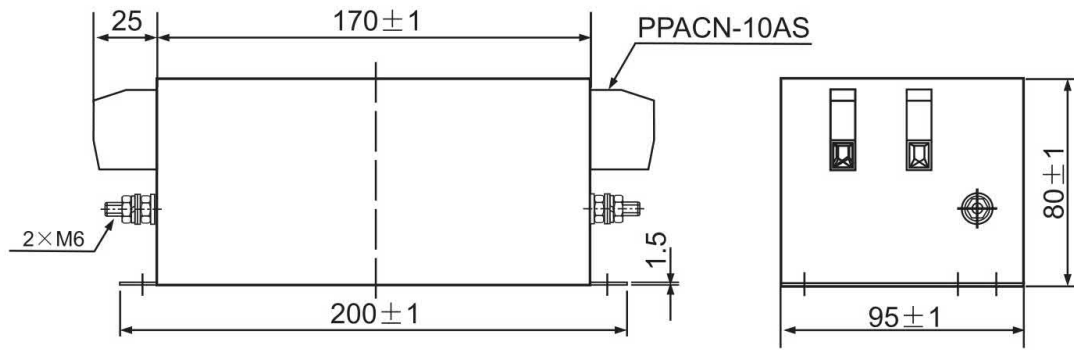


CM = Common Mode
DM = Differential Mode

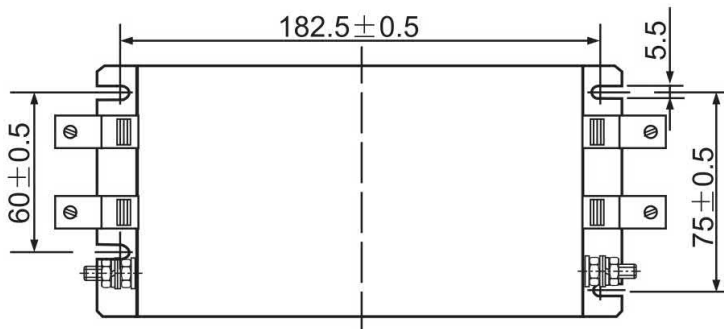
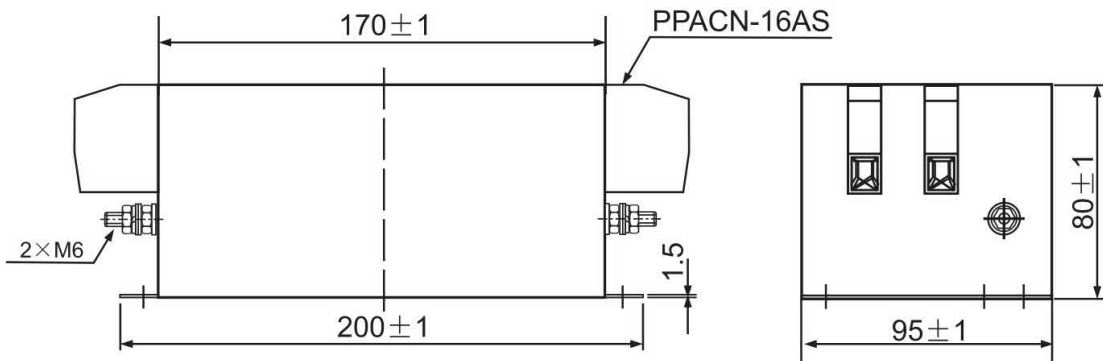
Mechanical packaging



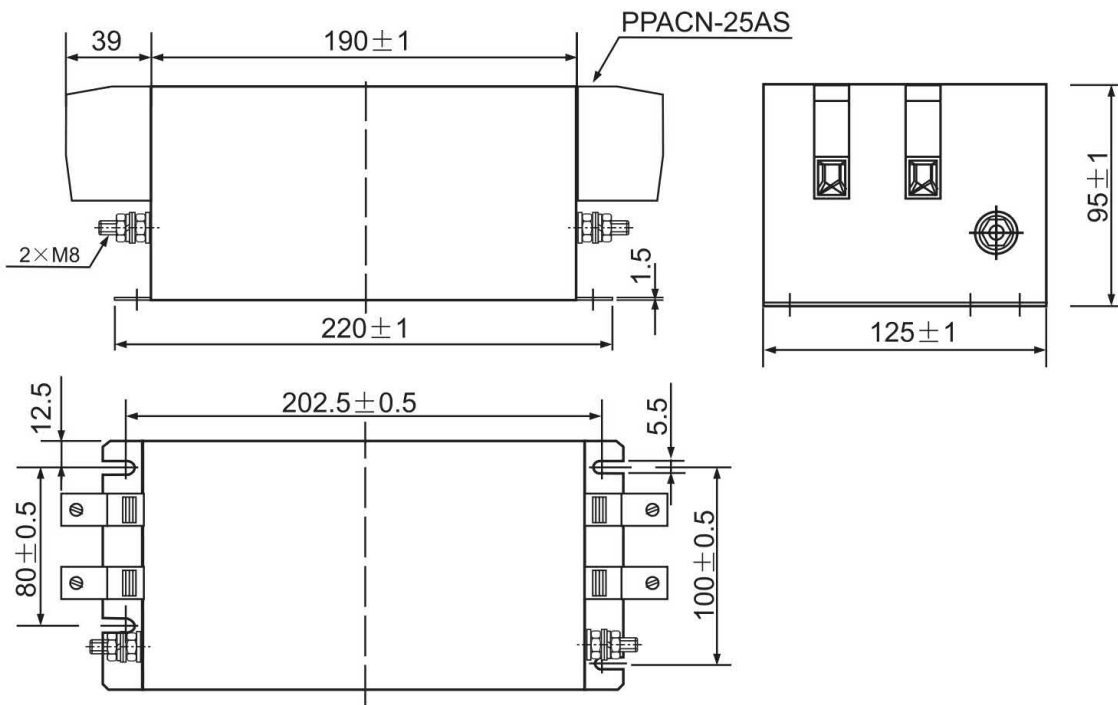
1



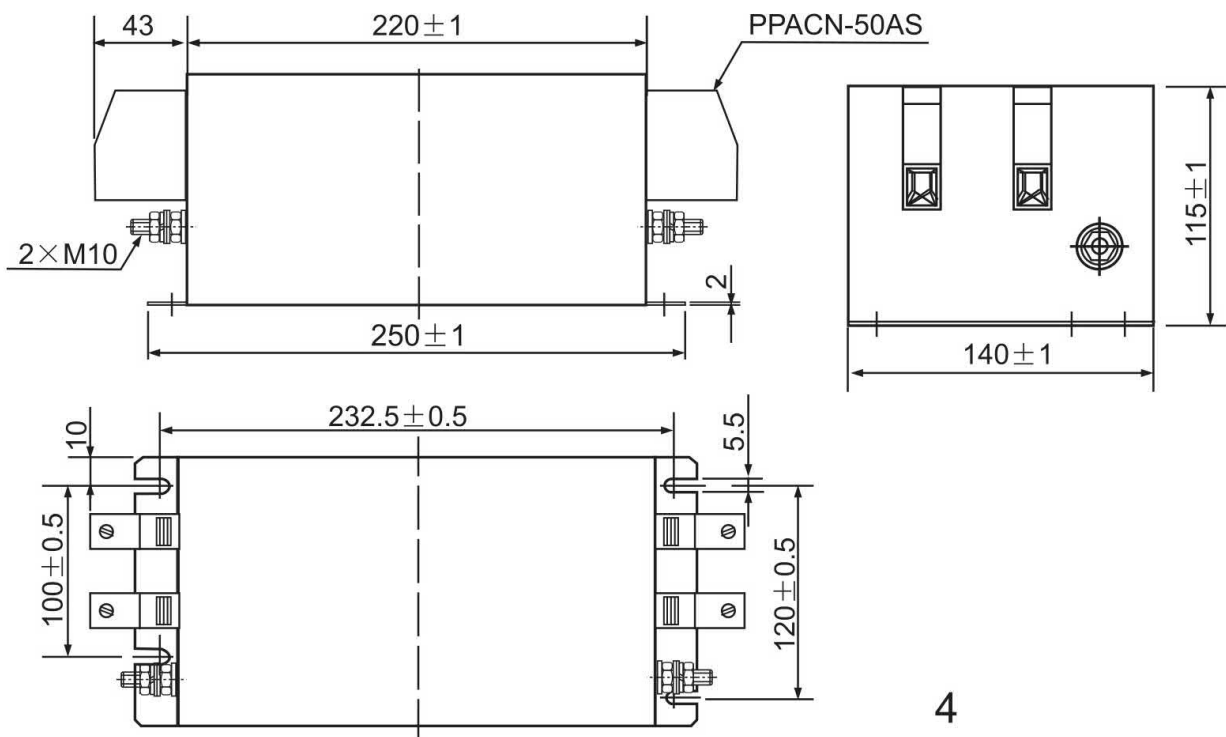
2



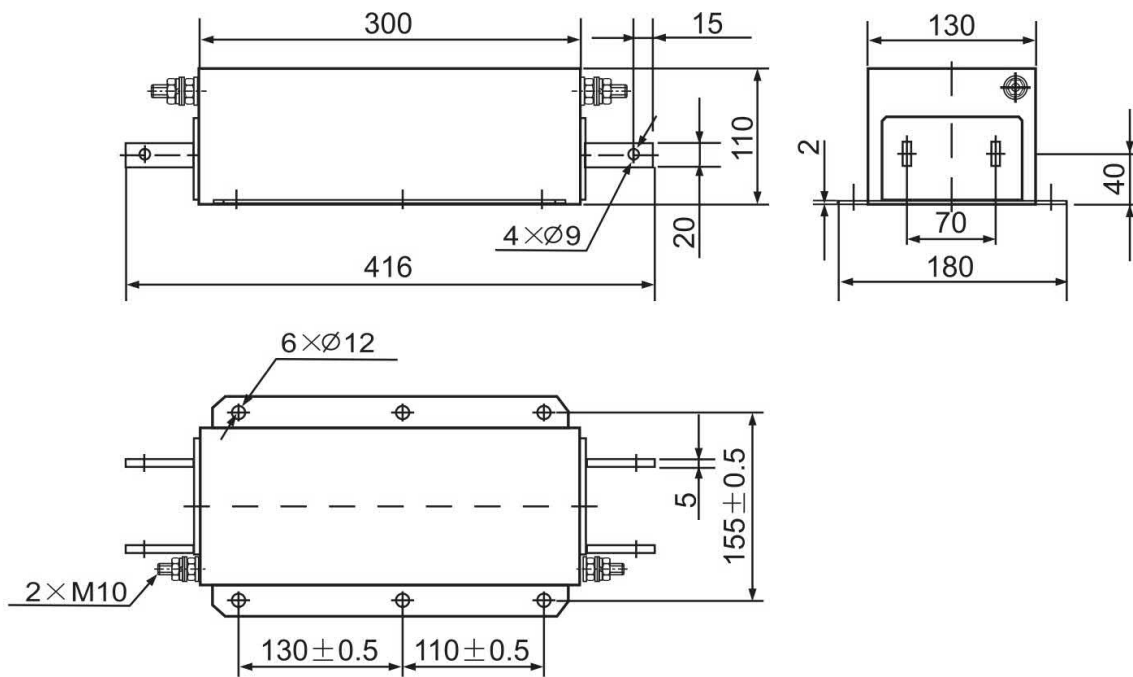
2-1



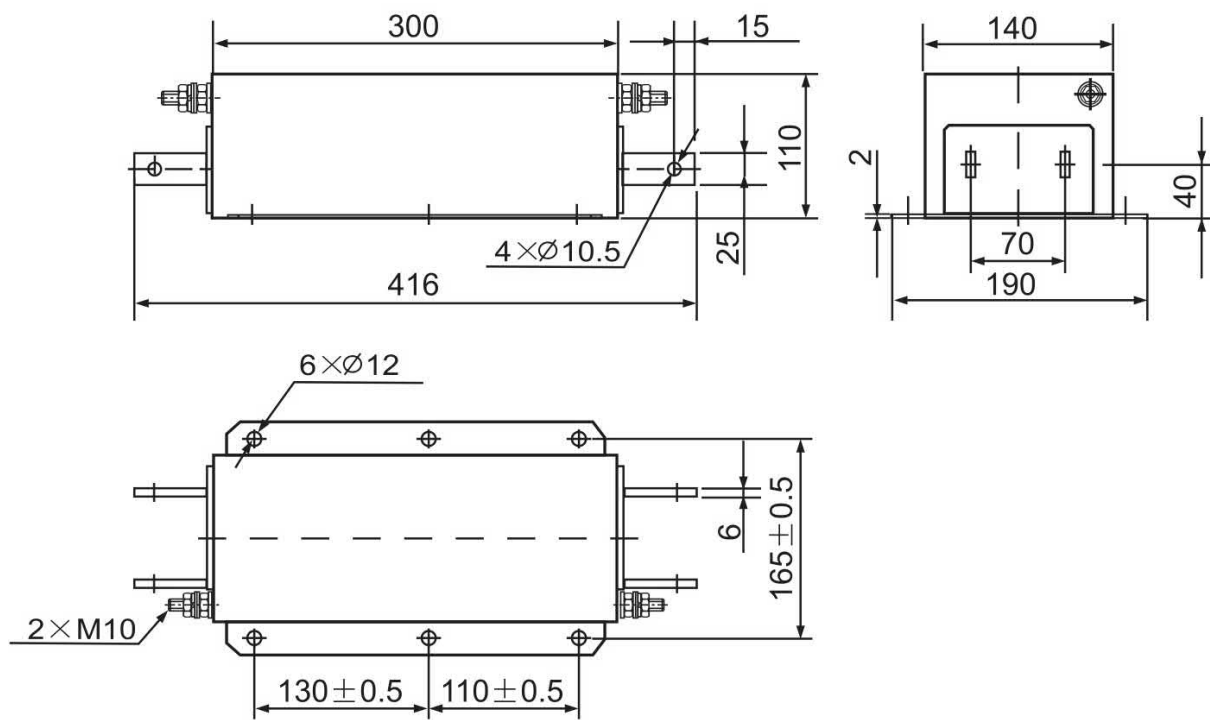
3



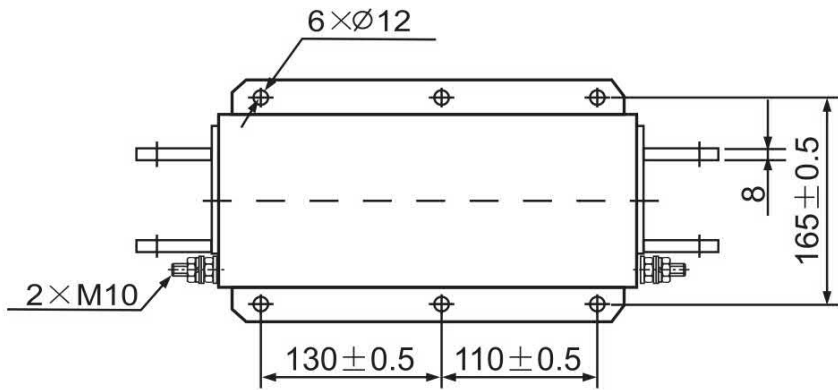
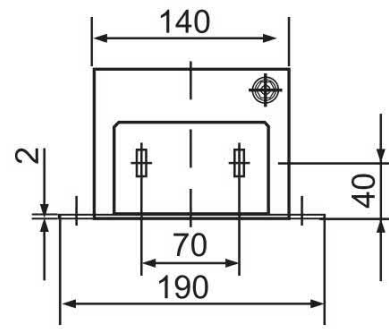
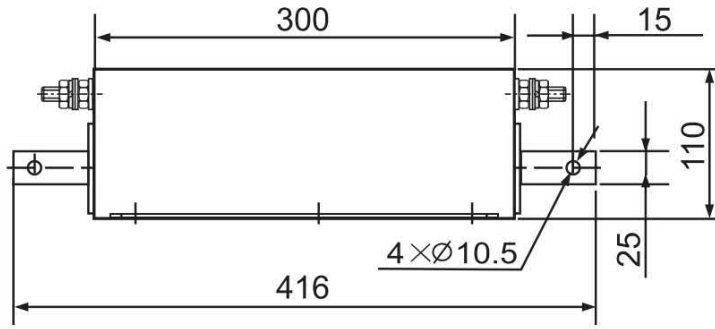
4



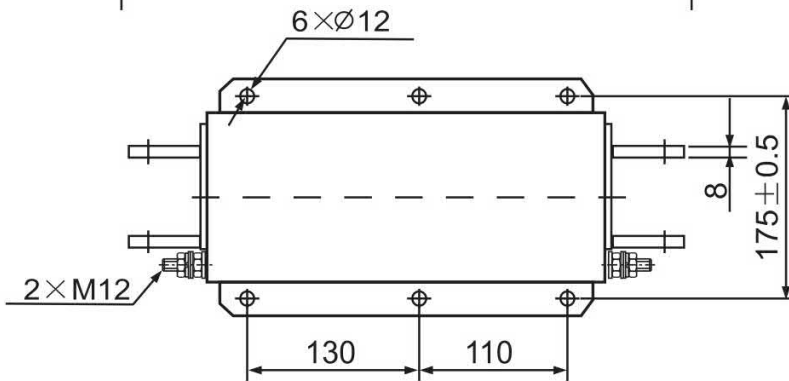
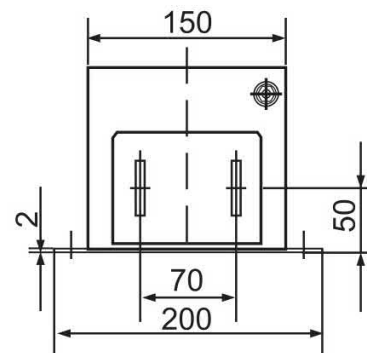
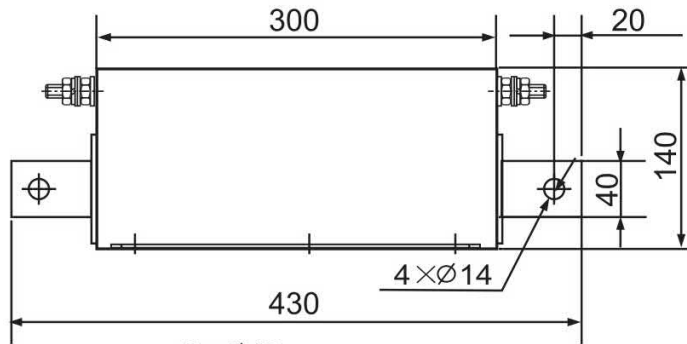
5



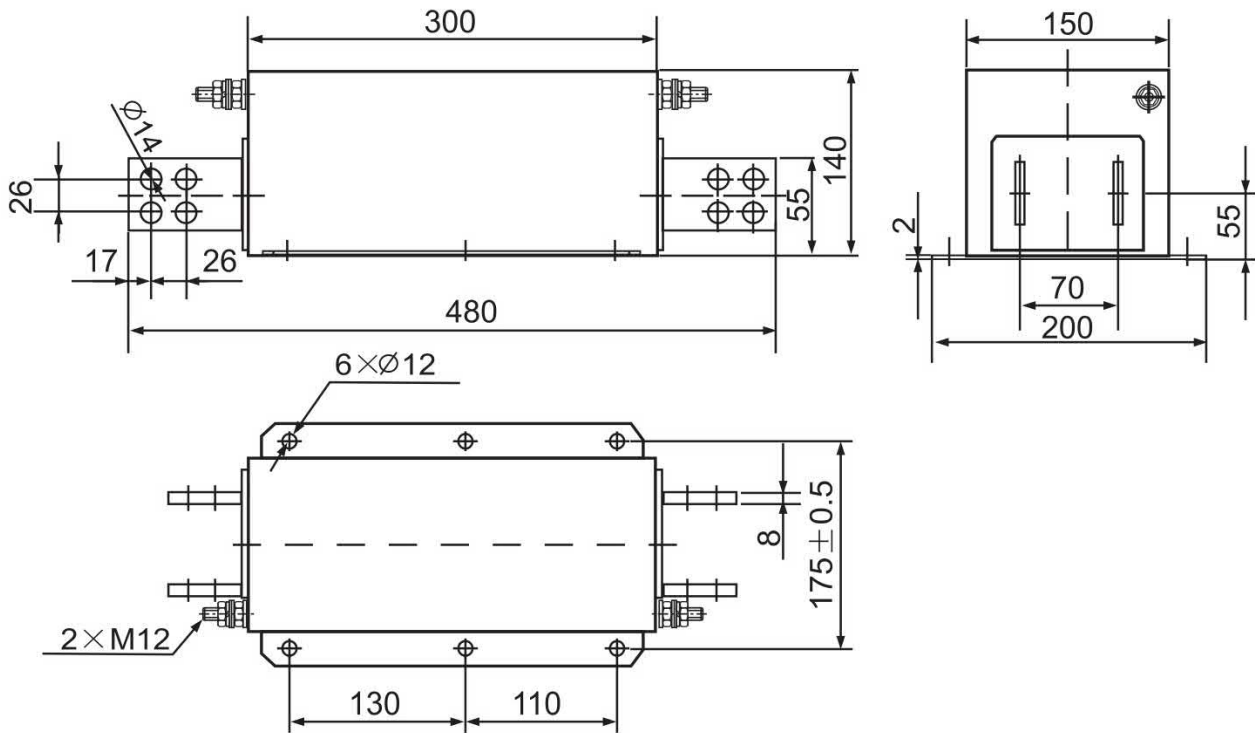
6



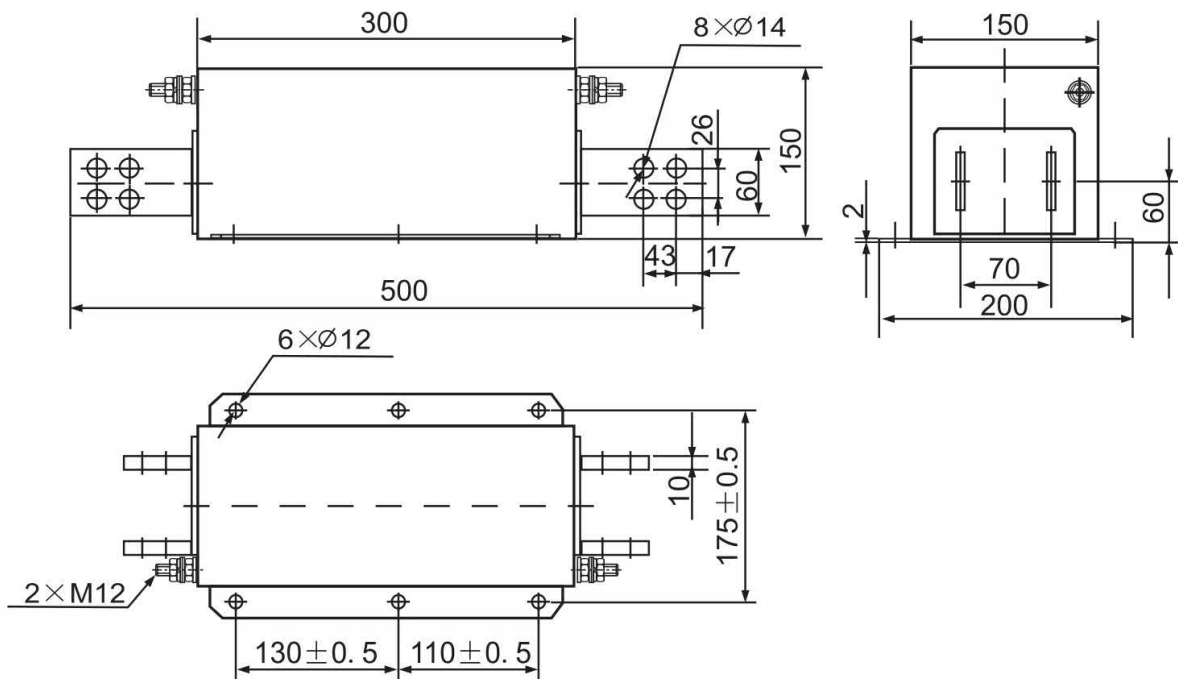
7



8



9



10

Metralytica GmbH
Oehleckerring 13
22419 Hamburg
Germany

www.metralytica.eu

+49 40 5936175-00
sales@metralytica.eu